

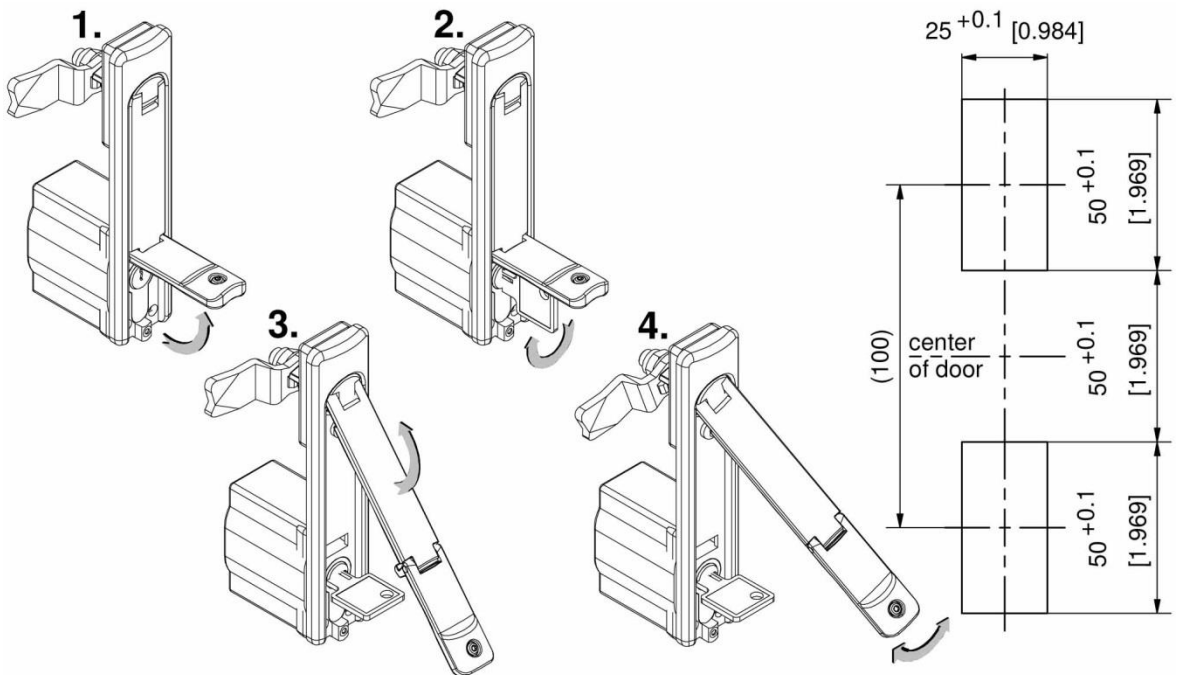
H066 Stainless Steel Swinghandle

Features

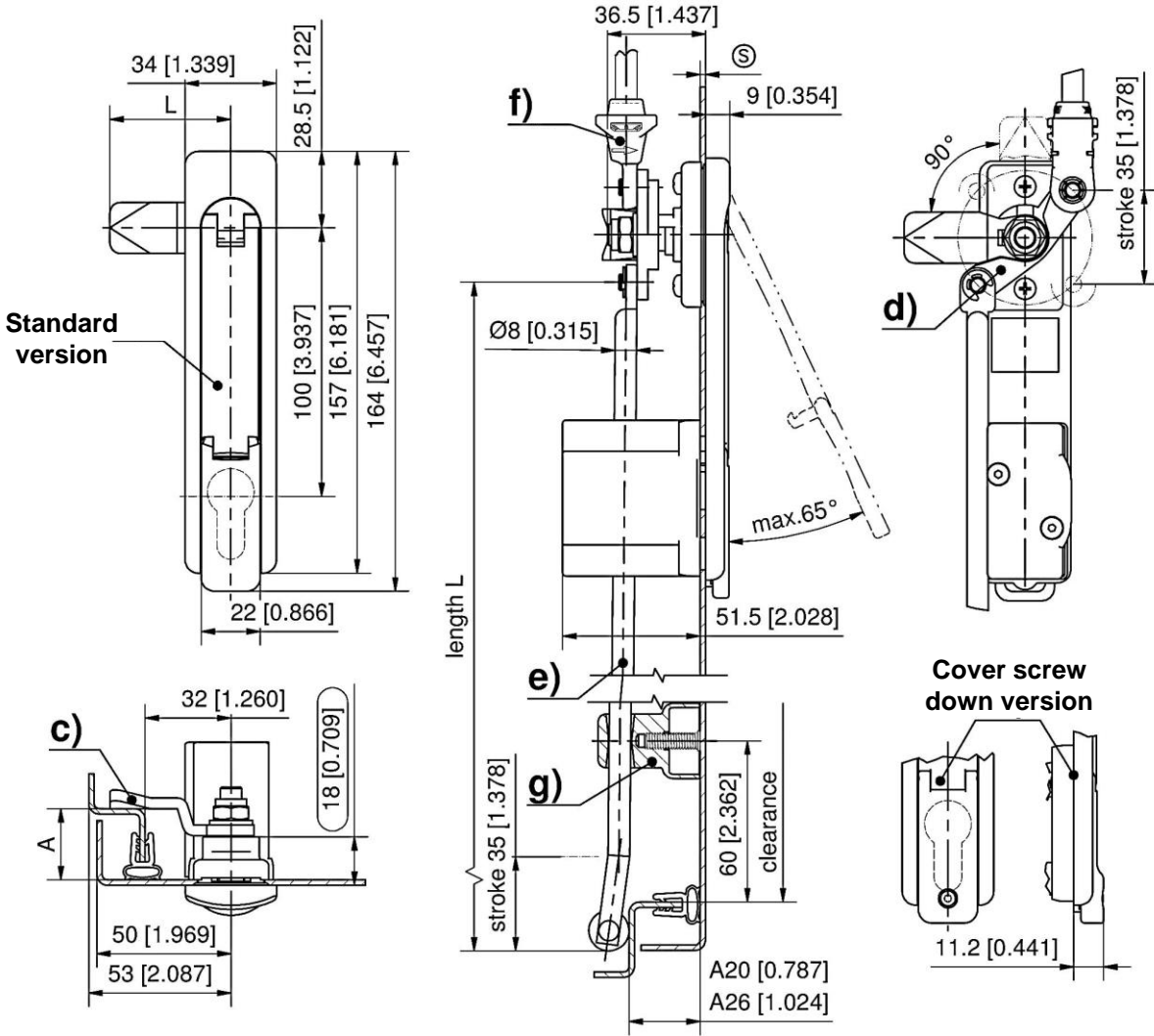
- Low profile, elegant swinghandle to control cams and/or round rod systems
- The design and the extremely narrow gap between handle and body makes this swinghandle suitable against vandalism
- The low profile design prevents this swinghandle being used as climbing support
- Locking cylinder fitted in the dish
- A cage protects the locking cylinder from being deliberately pushed or forced through
- Bolted internal cap is made of stainless steel
- Easy fitting
- Water- and dust-tight according to IP65 DIN EN 60529
- ~135° swing
- Stroke 35mm
- RH and LH application
- Cover optional screw down

Material

- Dish, handle, cover, cap, rotating disk: Stainless steel AISI 316L
- Cap sealing: NBR
- O-Ring: NBR / Perbunan, black
- Washer: PTFE- Teflon
- Spring: Stainless steel AISI 301
- Grooved pin and pin with axial knurl: Stainless steel AISI 303
- Locking bolt: Stainless steel AISI 316
- Serrated screw and grooved pin: Stainless steel AISI 304
- Screws and nut: Stainless steel



Part No.	Lockable	Installation Type	Version
H066-D07-9302	Yes	Screw-On	Standard
H066-D07-9305			Cover screw down



Complementary parts (sold separately)

- c) Cams L45 / L45 (refer to next page)
- d) Cam adapter
- e) Rod
- f) Adapter for rods
- g) Rod guide

Formula for rods with eye and rollers:
cutout in the door center (rod length varies)

$$L = \frac{\text{clearance} - 12\text{mm}[0.472]}{2 [0.079]} - 50\text{ mm} [1.969] \quad L = \frac{\text{clearance} - 12\text{mm}[0.472]}{2 [0.079]} + 50\text{ mm} [1.969]$$

cutout outside the door center (rod length equal)

$$L = \frac{\text{clearance} - 12\text{mm}[0.472]}{2[0.079]}$$

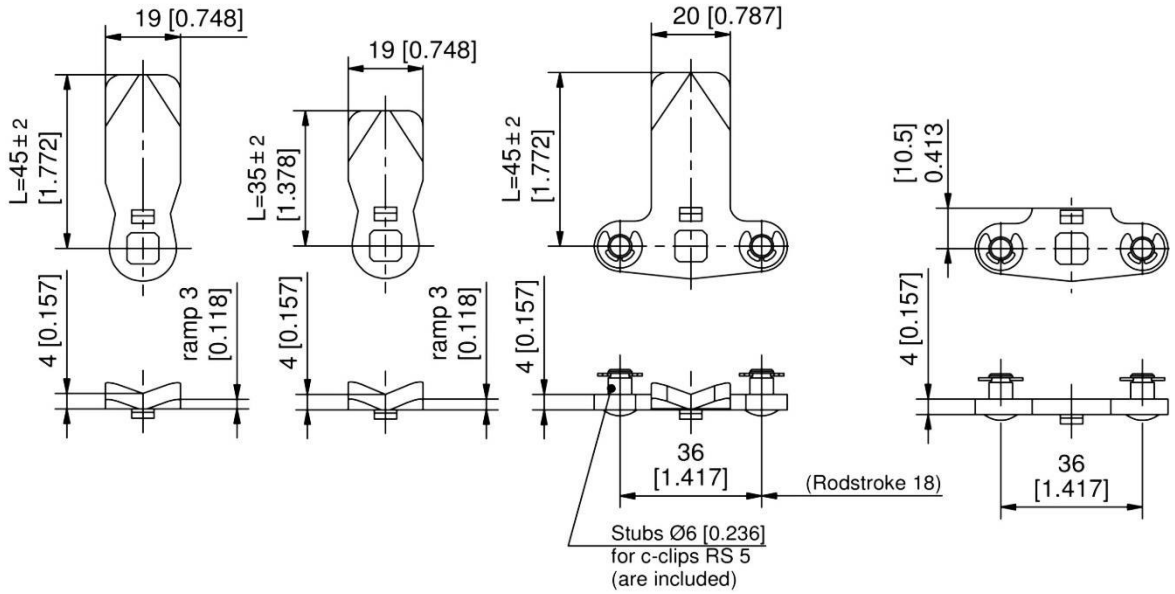
H105 Cams

Features

- Available in lengths of 35 mm or 45 mm

Material

- Stainless steel 304



L45 Cam

Part No.	H Dimension
C00-0506	6
C00-0508	8
C00-0510	10
C00-0514	14
C00-0516	16
C00-0518	18
C00-0520	20
C00-0522	22
C00-0524	24
C00-0526	26
C00-0528	28
C00-0532	32
C00-0542	42
C00-0550	50

L35 Cam

Part No.	H Dimension
C00-4535-18	18 mm
C00-4535-20	20 mm
C00-4535-22	22 mm

3/4 Point Cam

Part No.	Version
C00-9845-22	Bending A20
C00-9845-28	Bending A26

2 Point Cam

Part No.
C00-9899